

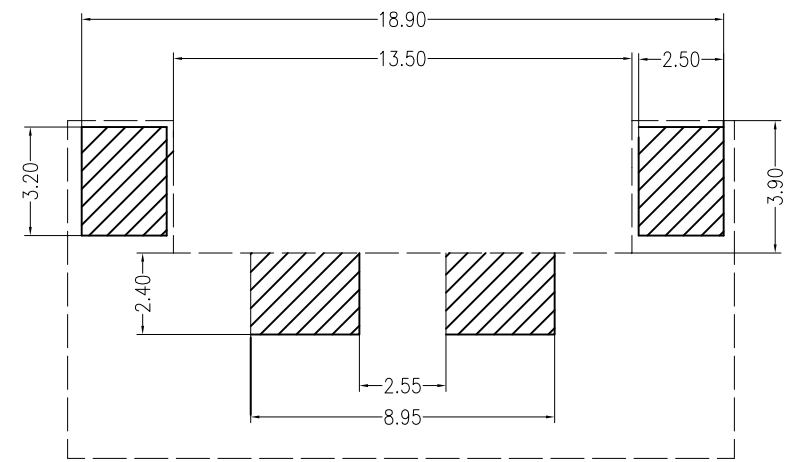
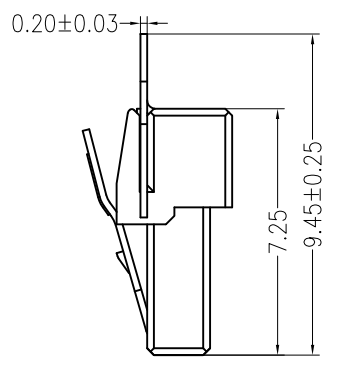
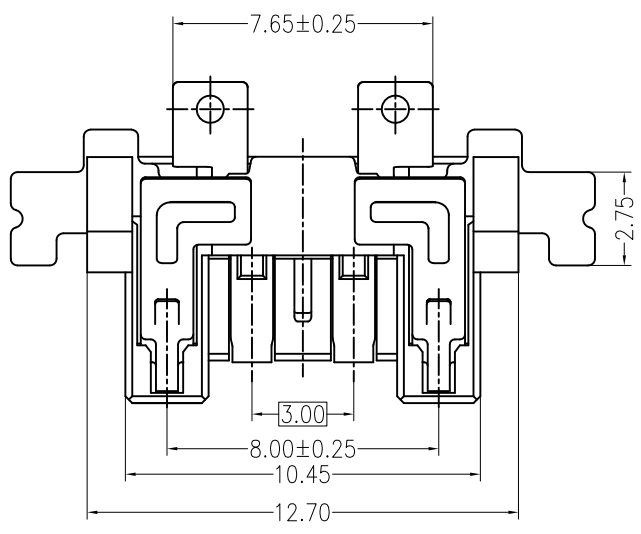
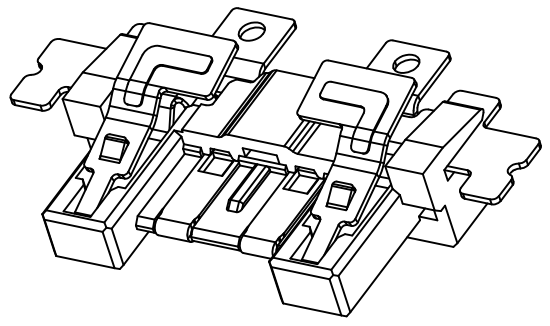
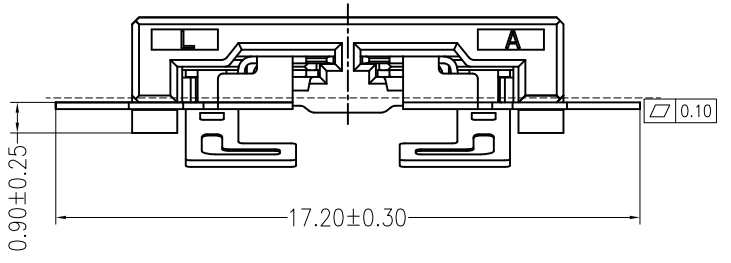
REV	DESCRIPTION	DESIGN	DATE
A	NEW RELEASE	FangSongLe	2020/09/05

**Specifications:**

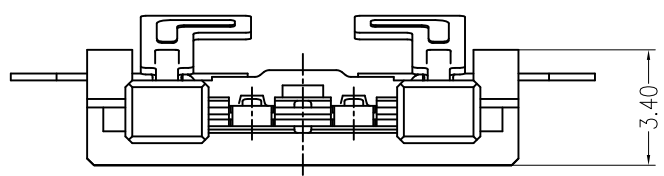
Contact resistance:  $\leq 30m\Omega$   
 Insulation resistance:  $\geq 1000M\Omega$   
 Rated voltage: 200V AC DC  
 Rated current: 1.0A AC DC  
 Withstand Voltage: 1000V AC/minute  
 Temperature Range:  $-25^{\circ}C \sim +105^{\circ}C$   
 Housing: LCP UL94V-0, BEIGE  
 Contacts: PhosphorBronze/MATTE Sn

**ORDER INFORMATION:**

<b>B3002G-02-F3MB1-R</b>		<b>PACKAGING:</b> R=REEL
<b>PART No.:</b>		<b>Metal code:</b> 1=PhosphorBronze
<b>No.OF CIRCUITS:</b>	02	<b>PLATING:</b> B=MATTE Sn
<b>PLASTIC MATERIAL:</b>	F3M=LCP (BEIGE)	



**P. C. B LAYOUT**



<b>東莞市高迪電子有限公司</b> DONG GUAN GAO DI ELECTRONICS CO., LTD		TITLE: 3.0mm Pitch BTB SMT TYPE	
		PART NO.: B3002G-02-F3MB1-R	
GENERAL TOLERANCE		USE: CUSTOMER	
X. ±0.50	X. ±5°	APPD: WangFeng	
X.X ±0.30	X.X ±2°	CHKD: Steven	
X.XX ±0.20	X.XX ±1°	DR: FangSongLe	
UNITS: mm		SCALE 1 : 1	SHEET 1 / 1

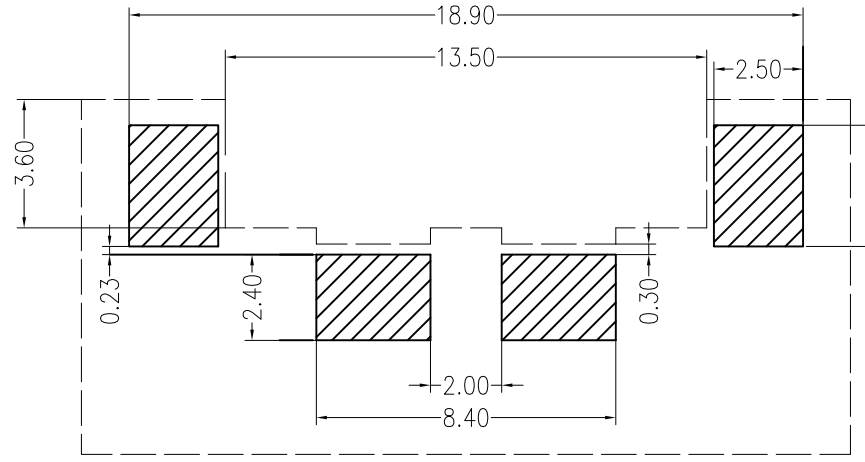
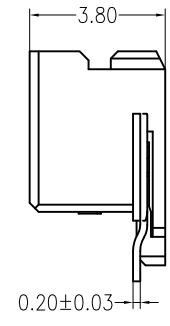
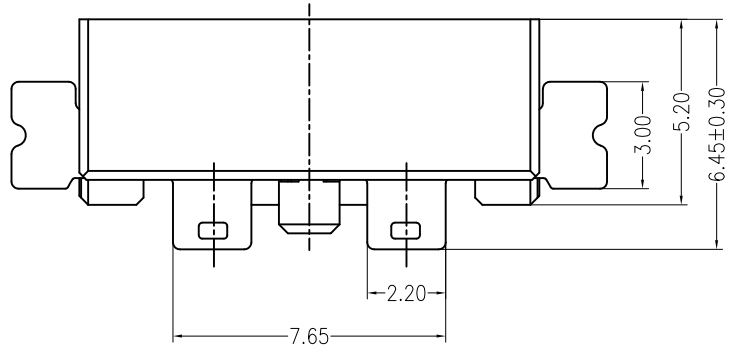
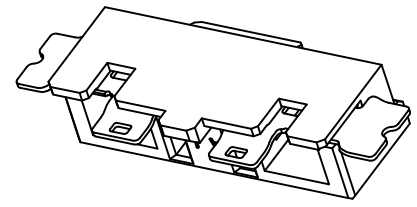
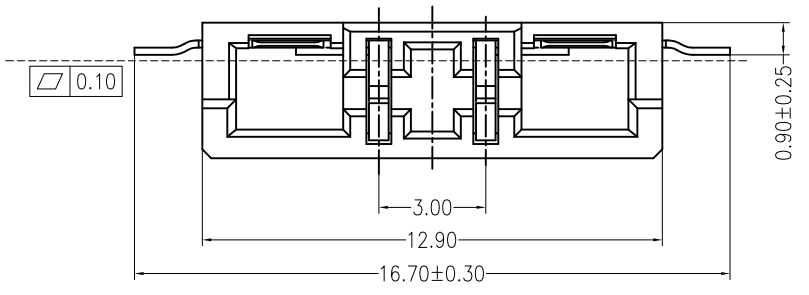
REV	DESCRIPTION	DESIGN	DATE
A	NEW RELEASE	FangSongLe	2020/09/05

**Specifications:**  
 Contact resistance:  $\leq 30m\Omega$   
 Insulation resistance:  $\geq 1000M\Omega$   
 Rated voltage: 200V AC DC  
 Rated current: 1.0A AC DC  
 Withstand Voltage: 1000V AC/minute  
 Temperature Range:  $-25^{\circ}C \sim +105^{\circ}C$   
 Housing: LCP UL94V-0, BEIGE  
 Contacts: Phosphor Bronze / MATTE Sn

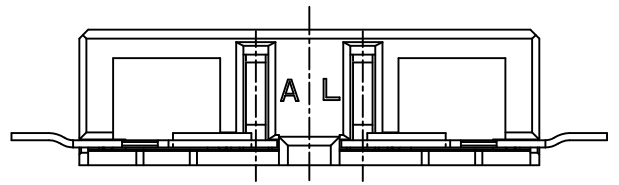
**ORDER INFORMATION:**

**B3002M-02-F2KB1-R**

PART No.:	B3002M-02-F2KB1-R	PACKAGING:	R=REEL
No. OF CIRCUITS:	02	Metal code:	1=PhosphorBronze
PLASTIC MATERIAL:	F2K=LCP	PLATING:	B=MATTE Sn



**P. C. B LAYOUT**



<b>東莞市高迪電子有限公司</b> DONG GUAN GAO DI ELECTRONICS CO., LTD		TITLE:		3.0mm Pitch BTB SMT TYPE	
		PART NO.:		B3002M-02-F2KB1-R	
GENERAL TOLERANCE		USE:		PART NO.:	
X. ±0.50	X. ±5°	CUSTOMER		B3002M-02-F2KB1-R	
X.X ±0.30	X.X ±2°	APPD:		DWG NO.:	
X.XX ±0.20	X.XX ±1°	WangFeng		GCKH-0855	
UNITS: mm		CHKD: Steven		SCALE	
UNITS: mm		DR: FangSongLe		1 : 1	
				SHEET	
				1 / 1	